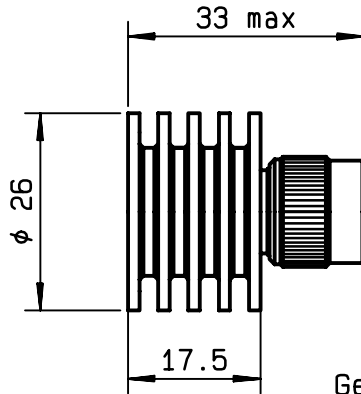


**TITLE:** 6 W 12.4GHZ TNC/m COAXIAL TERMINATION

**LTR. B**

### DRAWING



General tolerances: +/- 0.5 mm

### ELECTRICAL CHARACTERISTICS

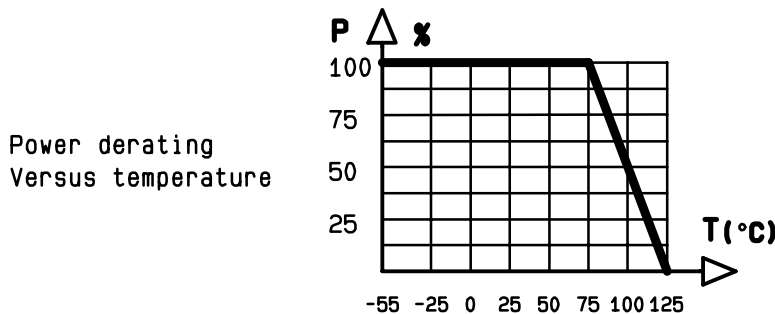
FREQUENCY RANGE	:	DC - 12.4GHz
IMPEDANCE	:	50 Ohms
DC RESISTANCE	:	50 Ohms ± 5 %
AVERAGE POWER HANDLING	:	6 W at 75°C
PEAK POWER HANDLING	:	4 kW ( 1 μs, 1%.) at 25°C
V.S.W.R :	DC - 4 GHz	: <= 1.10
	4 - 8 GHz	: <= 1.20
	8 - 12.4 GHz	: <= 1.30

### MECHANICAL CHARACTERISTICS

CONNECTOR	:	TNC male per MIL C 39012
MAXIMUM WEIGHT	:	27 grams

### ENVIRONMENTAL CHARACTERISTICS

OPERATING TEMPERATURE RANGE (°C)	:	-55 , +125
STORAGE TEMPERATURE RANGE (°C)	:	-55 , +125



Tentative data subject to change without notice

<b>PEN CAT</b>	QUALITY Dpt App.					
			B	New format	22.10.92	PG
<b>PAGE</b> 1 / 1	<b>DATE</b> 25.11.83	<b>NAME</b> DP	A1	New format	21.03.89	KL
			<b>LTR</b>	<b>REVISIONS</b>	<b>DATE</b>	<b>APP.</b>